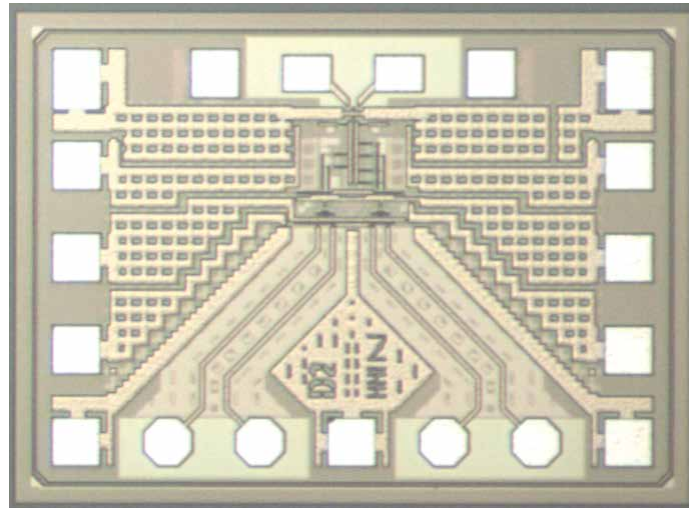


# ULTRA LOW-POWER 32 GBd 2-bit DAC FOR MACH-ZEHNDER MODULATOR



## AT A GLANCE

32 GBd 2-bit DAC for  
Mach-Zehnder Modulator

### Features

- Differential inputs and differential output
- Ultra-Low Power, 145 mW
- Eye-level control in PAM-4
- $1.7V_{pp}$ , differential output with  $2 \times 25 \Omega$  loads
- Supports NRZ, PAM-4 output signals

### Applications

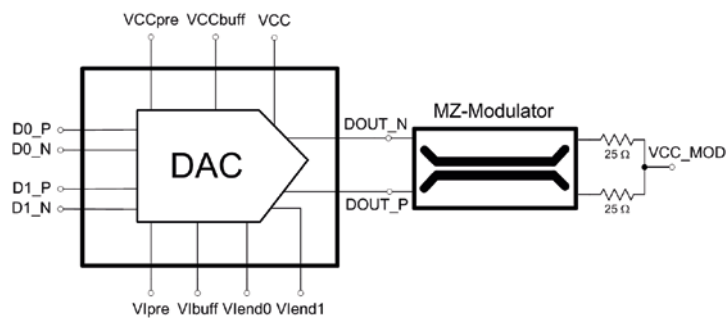
- Telecom and Datacom
- Broadband signal amplification
- PAM-4 / NRZ driver for Mach-Zehnder modulator

### Ultra low-power 2-bit DAC

Ultra low-power SiGe 2-bit DAC generates either NRZ or PAM-4 electrical signal to driver InP Mach-Zehnder modulator. The output stage is designed to include  $2 \times 25 \Omega$  for the impedance matching with the modulator. 2-bit DAC with  $2 \times 50 \Omega$  output impedance is also available as laboratory sample upon request.

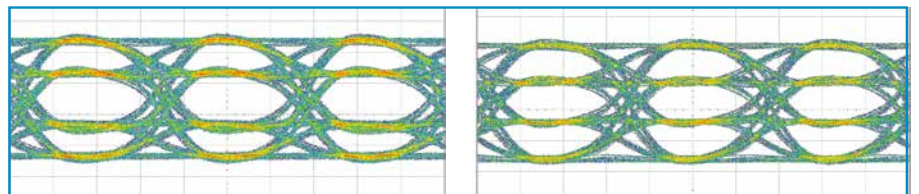
## Specifications

Parameter	Min	Typ	Max	Unit	Conditions
Bandwidth		145		mW	
Data Rate			32	GBd	
Differential Input Signal		500		mV <sub>pp</sub>	AC-coupled, differential
Differential Output Signal		1700		mV <sub>pp</sub>	2 x 2,5Ω load, differential
Power Supply		2,2		V	Supply at 25Ω: 2,0V
Operation Temperature		40		°C	



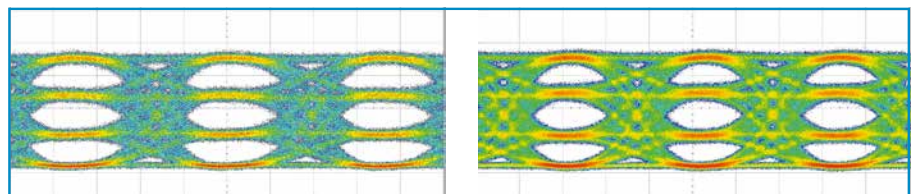
Electrical DAC configuration with Mach-Zehnder Modulator

## Electrical 28 GBd Eye with eye-level control



## Electro-Optical 28 GBd Eye

## Electro-Optical 32 GBd Eye



Dr. Jung Han Choi  
Photonic Components

Phone +49 30 31002-471  
jung-han.choi@hhi.fraunhofer.de

Fraunhofer Heinrich Hertz Institute  
Einsteinufer 37, 10587 Berlin  
Germany

[www.hhi.fraunhofer.de/pc/rese](http://www.hhi.fraunhofer.de/pc/rese)