

O-band 40GBaud InP Mach-Zehnder-Modulator

General Description

The Indium-Phosphide Mach-Zehnder-Modulator is ideally suited for optical transport applications within the O-band. It features a unique traveling-wave-electrode design, resulting in slow roll-off and zero chirp.

Applications

40GBaud OOK, 4PAM, 2PSK

Features

- O-band operations (1280-1340nm)
- Traveling-wave-electrode design with zero chirp
- Evaluation-board available (for easy DC- connection)
- Low $V\pi$, Adjustable

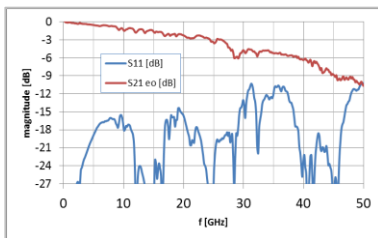


Operating Conditions / Absolute Maximum Ratings

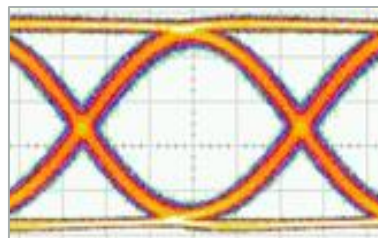
Parameter	Unit	Min	Typ	Max
Optical wavelength	nm	1280	1310	1340
Optical input power	dBm		10	16
Temperature	°C		25	50
Bias voltage V_{bias}	V	3		10
Phase-voltage	V	-10		0
TEC driving current	A			1

Performance

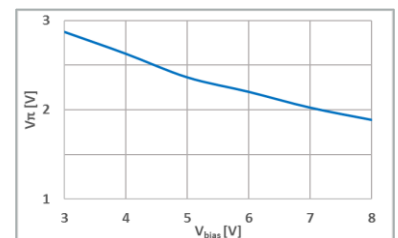
Parameter	Symbol	Unit	Typ	Comments
Insertion loss	IL	dB	8.5	@ max. transmission
Extinction ratio (dynamic)	ER	dB	>10	@ 40GBaud
Extinction ratio (DC)	ER	dB	>20	
3dB EO cut-off frequency	$f_{3\text{dB}}$	GHz	25	
Bias voltage	V_{bias}	V	7	
Phase voltage	P1 P2	V	-3	quadrature point
$V\pi$		V	2.0	@ $V_{\text{bias}} = +7\text{V}$



Small signal response



Eye diagram @ 40GBaud (RF- V_{pp} : 2V)



$V\pi = f(V_{\text{bias}})$ @ 1310 nm

HHI reserves the right to change specifications without any prior notice at any time

Fraunhofer Institute for Telecommunications, Heinrich-Hertz Institute, HHI
Einsteinufer 37
10587 Berlin
Germany

 **Fraunhofer**
HHI

Contact: Klemens Janiak Phone: +49 30 31002-574 Mail: klemens.janiak@hhi.fraunhofer.de

O-band 40GBaud InP Mach-Zehnder-Modulator

General Instructions / Precautions

An InP-Mach-Zehnder-Modulator contains several semiconductor-p-i-n junctions, a faulty DC-operation will result in an irreversible damage of the device. Please use the electric circuit diagram for correct DC-wiring. Don't exceed maximum values for Phase- and Bias-voltages. V_{bias} has to be always positive, referenced against GND. Phase voltages has to be always negative, referenced against V_{bias} . Use voltage sources with integrated current limiter.

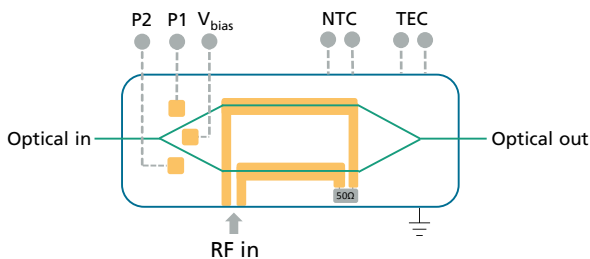
Limits: V_{bias} : 3 mA, Phase: 1 mA.

The use of an external temperature controller is highly recommended, otherwise the operating point is not stable over time.

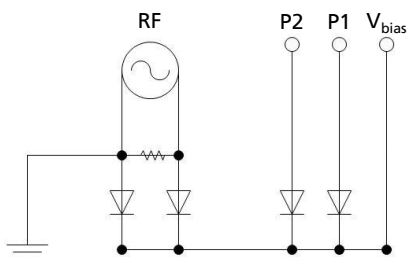
Connections / Specifications

- Optical connections: SSMF with FC/APC connectors
- RF: single ended, 1.85mm female
- DC: 14 PIN breakout, optional: evaluation board with preconfigured cable assembly available on request
- NTC: BetaTHERM NTC 10K3CG3
($R @ 25^{\circ}C = 10k\Omega$; $\alpha @ 25^{\circ}C = -4.39\%$; $\beta @ 0/50^{\circ}C = 3892$)
- TEC: peltier-element (1A max current)

Device diagram



Electric circuit diagram

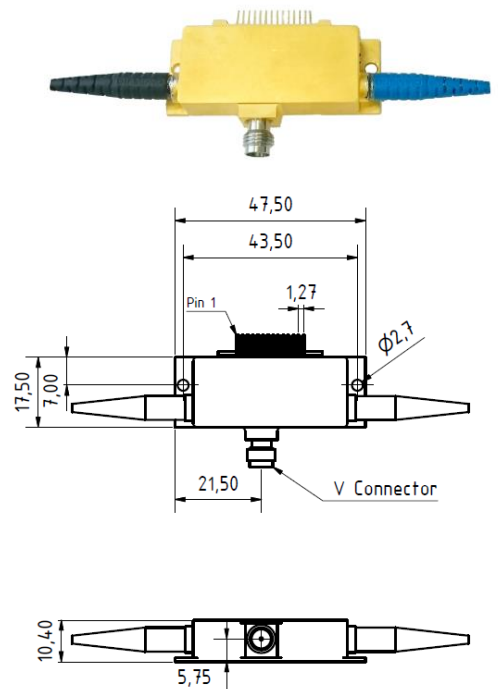


Part Number

- Module: MZM_M_O_25_19

HHI reserves the right to change specifications without any prior notice at any time

Drawings / Pictures



PIN layout

PIN No	Function
1	TEC+
2	TEC-
3	V_{bias}
4	not used
5	not used
6	P1
7	P2
8	NTC+
9	NTC-
10	not used
11	not used
12	not used
13	not used
14	not used